

Revised Main Bearing Bolt Torque for 2008-2016 Detroit Diesel DD15 14.8L engines

The AERA Technical Committee offers the following information on a revised main bearing bolt torque for 2008-2016 Detroit Diesel DD15 14.8L engines. This revised torque value went into usage during the 2009 year model of engines.

Refer to the steps listed below while installing the main bearing bolts for DD15 diesel engines. It should be also noted that crankshaft “free rotation” may not exist until ALL main bearing bolts have been completely torqued into position.

1. Apply a small quantity of clean engine oil to the bolt threads and underside of the bolt heads.
2. Install the main bearing cap bolts and draw them up snug.
3. Torque all of the main bearing cap bolts in the sequence shown below as follows:

[a] Torque the main cap bolts in sequence to 37 FT/LBS (50 Nm).

[b] Torque the main cap bolts again to in sequence 103 FT/LBS (140 Nm).

[c] Torque the main cap bolts again in sequence to 184 FT/LBS (250 Nm).

[d] Torque the bolts in sequence an additional 90° turn.

[e] Torque the bolts in sequence an additional 90° turn.

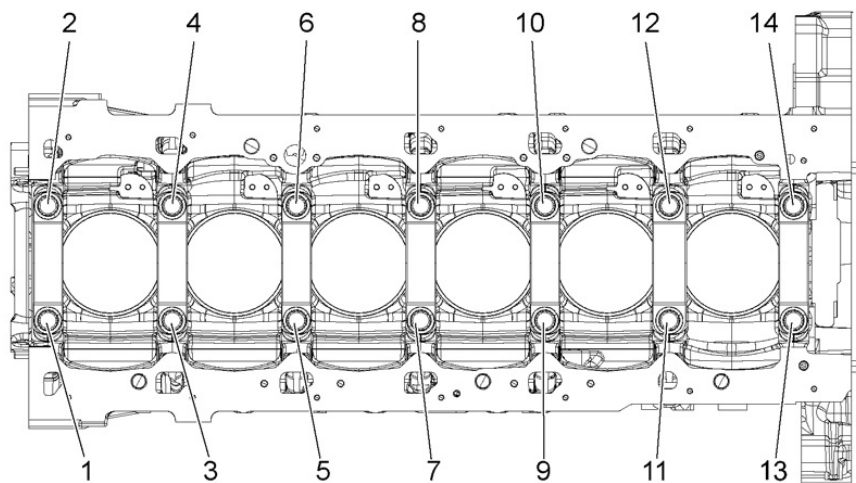


Figure 1. Main Bearing Bolt Torque Sequence