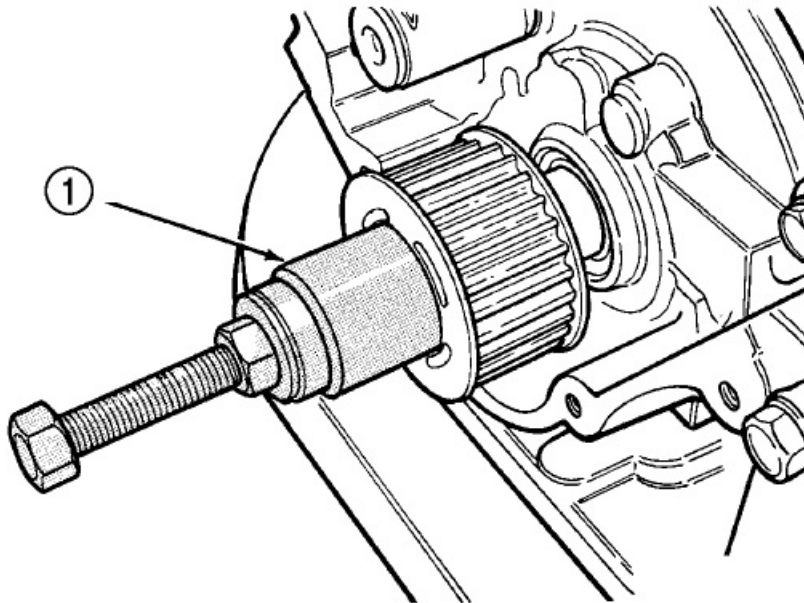


Timing Gear Caution on 1993-2013 Dodge/Chrysler 3.5L Engines

The AERA Technical Committee offers the following information regarding a timing gear caution on 1993-2013 Dodge/Chrysler 3.5L engines. This information applies to the crankshaft sprocket/gear, it should be noted before removal that the sprocket/gear is not located to a shoulder or raised area on the crankshaft snout. It is located a certain distance from the front end of the crankshaft.

Chrysler/Dodge suggests using their installation tool to assure correct location from the front of the crankshaft snout. This tool is available from Chrysler/Dodge or from tool manufacturer Miller SPX with tool #6641A. If a tool is unavailable, measuring the exact distance the sprocket is from the front crankshaft snout before removal will be very useful for installation of a new sprocket.



Crankshaft Sprocket - Installation

1 - INSTALL WITH SPECIAL TOOL 6641 WITH 12mm SCREW